



Low Profile SMD Shielded Power Chokes - SDC4D18 SERIES

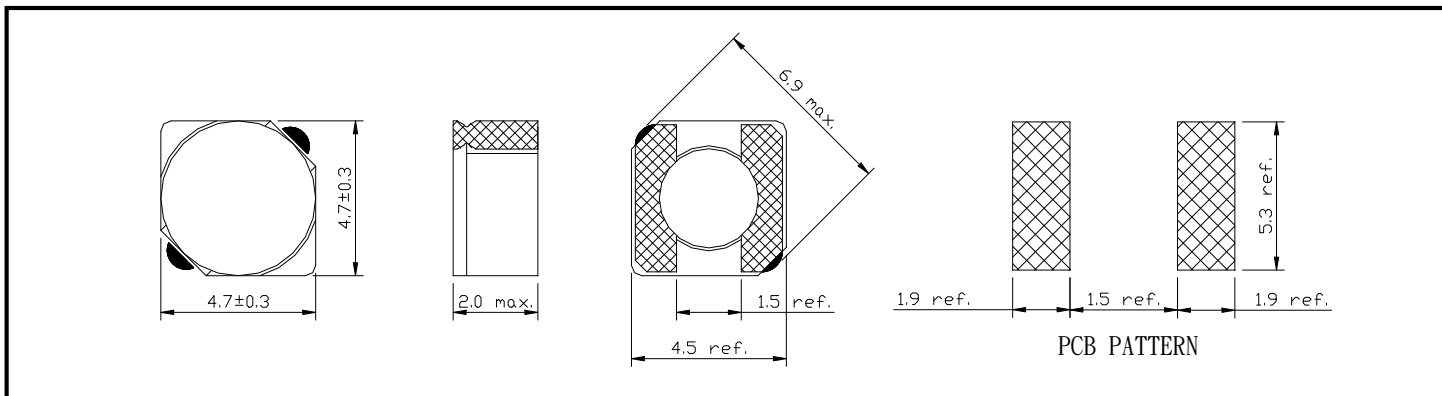


PART NUMBERING SYSTEM

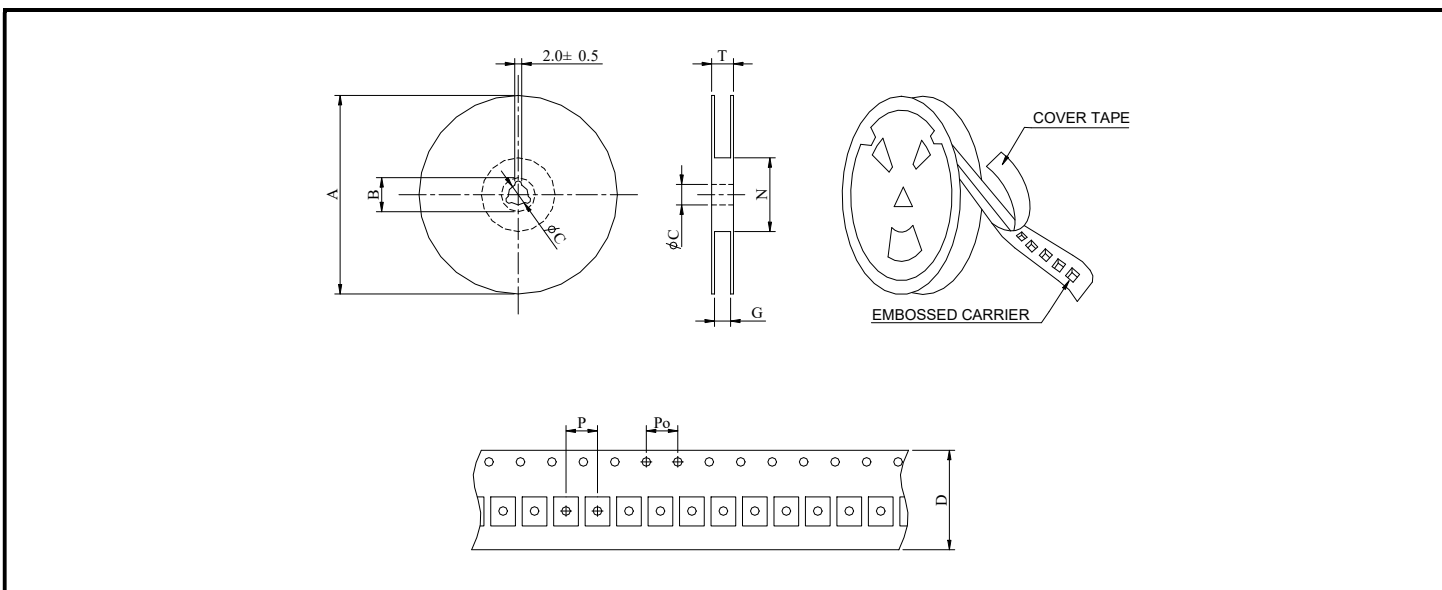
SDC	4D18	—	3R3N	—	LF
TYPE	DIMENSIONS		INDUCTANCE		LEAD FREE

SHAPES AND DIMENSIONS

UNIT : mm



PACKAGING SPECIFICATION



SERIES	STAYLE	Q' TY (PCS)	DIMENSIONS (m/m)								
			A	B±0.8	C±0.5	D	G ⁺⁰	N ⁰	P	Po	T
SDC4D18	13-16	2000	330	21	13	16	18	50	8	4	22.4



Low Profile SMD Shielded Power Chokes - SDC4D18 SERIES



SPECIFICATION TABLE

PART NUMBER	INDUCTANCE (μ H)	DCR (m Ω) (Max.)	IDC (A)	TEST FREQ. (Freq.)
SDC4D18-1R0N-LF	1.0 \pm 30%	45	1.72	7.96MHz
SDC4D18-2R2N-LF	2.2 \pm 30%	75	1.32	7.96MHz
SDC4D18-2R7N-LF	2.7 \pm 30%	105	1.28	7.96MHz
SDC4D18-3R3N-LF	3.3 \pm 30%	110	1.04	7.96MHz
SDC4D18-3R9N-LF	3.9 \pm 30%	155	0.88	7.96MHz
SDC4D18-4R7N-LF	4.7 \pm 30%	162	0.84	7.96MHz
SDC4D18-5R6N-LF	5.6 \pm 30%	170	0.80	7.96MHz
SDC4D18-6R8N-LF	6.8 \pm 30%	180	0.76	7.96MHz
SDC4D18-8R2N-LF	8.2 \pm 30%	190	0.68	7.96MHz
SDC4D18-100N-LF	10 \pm 30%	200	0.61	100KHz
SDC4D18-120N-LF	12 \pm 30%	210	0.56	100KHz
SDC4D18-150N-LF	15 \pm 30%	240	0.50	100KHz
SDC4D18-180N-LF	18 \pm 30%	338	0.48	100KHz
SDC4D18-220N-LF	22 \pm 20%	397	0.41	100KHz
SDC4D18-270N-LF	27 \pm 20%	441	0.35	100KHz
SDC4D18-330N-LF	33 \pm 20%	694	0.32	100KHz
SDC4D18-390N-LF	39 \pm 20%	709	0.30	100KHz
SDC4D18-470N-LF	47 \pm 20%	922	0.28	100KHz
SDC4D18-560N-LF	56 \pm 20%	1080	0.26	100KHz
SDC4D18-680N-LF	68 \pm 20%	1300	0.24	100KHz
SDC4D18-820N-LF	82 \pm 20%	1560	0.22	100KHz
SDC4D18-101N-LF	100 \pm 20%	1730	0.20	100KHz
SDC4D18-121N-LF	120 \pm 20%	2390	0.18	100KHz
SDC4D18-151N-LF	150 \pm 20%	2670	0.15	100KHz
SDC4D18-181N-LF	180 \pm 20%	4000	0.14	100KHz

- Isat : DC current at which the inductance drops 35% (typ) from its value without current.
- Irms: The actual current when temperature of coil becomes $\Delta 40^{\circ}\text{C}$. ($T_a=+25^{\circ}\text{C}$)
- Operating temperature range -40°C to $+125^{\circ}\text{C}$, Electrical specifications at 25°C .
- Packing : 13" reel, machine-ready ,embossed plastic tape (2,000 parts per full reel).